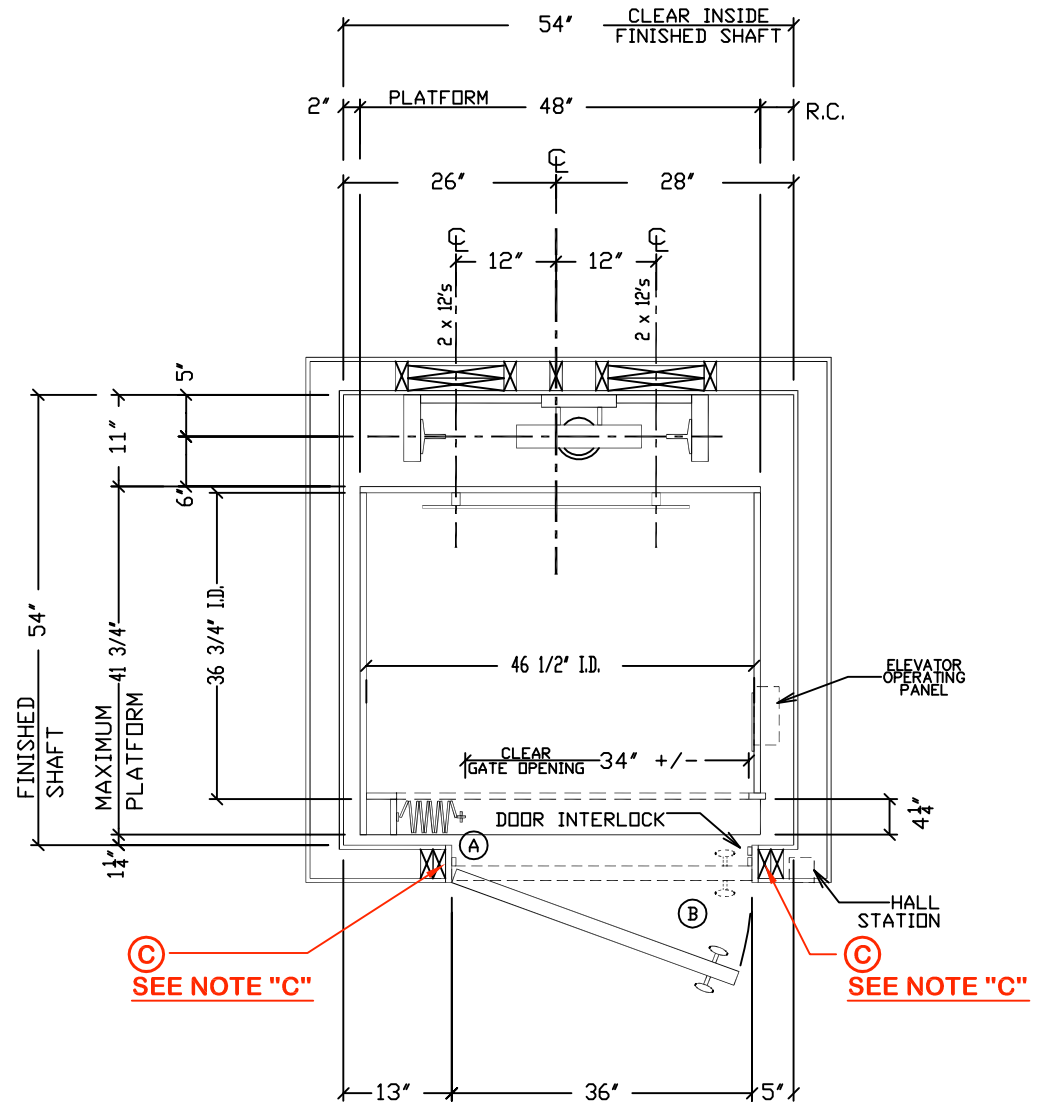


JOB NAME: REAR RAIL, IN LINE OPENING	DRAWING NUMBER: REMI-3 12 SQ FT
--	---------------------------------------

NOTES:

- Ⓐ 1/4" THICK MAXIMUM TRIM TO BE INSTALLED ON BACKSIDE OF LANDING DOOR FRAMES
- Ⓑ LANDING DOORS TO BE SOLID CORE (BY OTHERS)
- Ⓒ ALL LANDING DOORS AND JAMB/FRAMES ARE TO BE INSTALLED IN A 2" X 4" WALL CONSTRUCTION (OR EQUIVALENT) OR RECESSED TO THE SHAFT SIDE OF THE WALL IN A LARGER WALL CONSTRUCTION. THIS IS MANDATORY TO COMPLY WITH THE 3" X 5" RULE, PER ANSI A17.1; PART 5.3 PRIVATE RESIDENCE ELEVATORS (RULE 5.3.1.4.2). IF CONSTRUCTION OF THE LANDING DOOR WALL(S) IS GREATER THAN 2" X 4" CONSTRUCTION CONSULT WITH ELEVATOR MANUFACTURER PRIOR TO FRAMING AND INSTALLATION OF DOOR JAMB/FRAMES.



HOISTWAY PLAN VIEW

SCALE - NOT TO SCALE

NOTE: ALL DIMENSIONS ARE APPROXIMATE

DRAWING/ REVISION(S)

DRAWN:	CHECKED:	DATE:	DESCRIPTION
C.J.S.	C.J.S.	03/01/09	NEW DRAWING